

| Date     | Revision |
|----------|----------|
| 1.6.2022 | 2        |

### Important Information

We recommend that luminaires are installed by a qualified electrician ensuring the installation complies with current IEE wiring regulations BS7671:2018 & local building control.

- BELL will not accept responsibility for any claims arising from a poor installation.
- The light source of this luminaire is not replaceable: when the light source reaches end of life, the whole luminaire must be replaced.
- Always switch off mains supply before installing.
- You are advised to test 5 samples before mass application of sensor in a new lighting project. The distance between any inductive sensors should be greater than 3m
- Operating Temperature -30°C to +35°C, emergency versions 0°C to +35°C.
- Maximum PIR Sensor operating height 12m.
- Maximum Microwave Sensor operating height 15m.
- All tests should be carried out in accordance to EN 50172:2004.

This product may contain substances that can be hazardous to the environment if not disposed of properly. Electrical and electronic equipment should never be disposed of with general household waste but must be separated for its correct treatment and recovery. Where possible recycle your packaging.



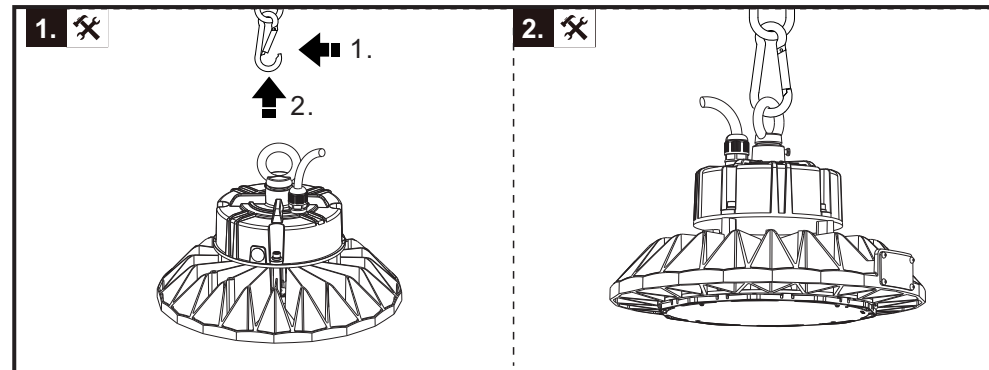
**Read these instructions before installation and retain for future reference**

**This equipment should be installed by a competent electrician**



### Installation:

- Rotate the suspension loop until it is fixed on the High Bay, fasten the security bolt. To secure, suspend the fitting using the suspension loop.
- Connect mains supply as diagram below.



### Product Data

Seoul Semiconductor LED

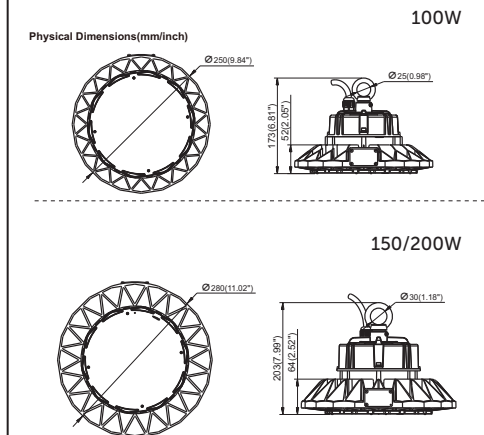
### Wiring Diagram



### Technical Parameters

| Product Specifications | 100W                             | 150W                              | 200W |
|------------------------|----------------------------------|-----------------------------------|------|
| Input Voltage          | AC200-240V                       |                                   |      |
| Power Frequency        | 50 / 60Hz                        |                                   |      |
| Outlook Dimensions     | ∅250 x 173mm<br>(∅9.84" x 6.81") | ∅280 x 203mm<br>(∅11.02" x 7.99") |      |
| Luminaire Net Weight   | 2.15±0.2kg<br>(4.74±0.44Lbs)     | 2.9±0.2kg<br>(6.39±0.44Lbs)       |      |
| Working Temperature    | -30°C to +35°C                   |                                   |      |
| Storing Temperature    | -40°C to +70°C                   |                                   |      |

### Product Dimensions (mm)



**Technical Helpline +44 (0)1924 893380**

**www.bellighting.co.uk**

British Electric Lamps Ltd, Unit A Foxbridge Way  
Normanton Ind Est, Normanton, West Yorkshire. WF6 1TN

T: +44 (0)1924 893380 F: +44 (0)1924 894320 E: sales@bellighting.co.uk



| Date     | Revision |
|----------|----------|
| 1.6.2022 | 2        |

### Testing & Commissioning for Emergency Luminaire

- Ensure the Load is connected.
- Connect the battery.
- Switch on the Unswitched Supply  
- Check the Charge LED illuminates.
- Switch on the Maintained Supply  
- Check the LED illuminates as normal.
- Switch off the Maintained Supply.
- Switch off the Unswitched Supply  
- Check the Charge LED extinguishes and the load LED illuminates at a reduced output.
- Enter the commissioning date on the Battery Pack.  
Switch on the Unswitched Supply

|                                    |               |  |                         |             |               |                        |               |             |               |             |  |
|------------------------------------|---------------|--|-------------------------|-------------|---------------|------------------------|---------------|-------------|---------------|-------------|--|
| <b>Luminaire Ref/Location</b>      |               | <b>In Case of difficulty, contact the Installation Engineers:-</b><br>Tel: _____ |                         |             |               |                        |               |             |               |             |  |
| <b>Full Recharge Time 24 Hours</b> |               |  | <b>Duration 3 Hours</b> |             |               | <b>Lamp Type - LED</b> |               |             |               |             |  |
| <b>ROUTINE TEST RECORD</b>         |               |  |                         |             |               |                        |               |             |               |             |  |
|                                    | <b>Year 1</b> |  | <b>Year 2</b>           |             | <b>Year 3</b> |                        | <b>Year 4</b> |             | <b>Year 5</b> |             |  |
| <b>Monthly Test</b>                | <b>Signed</b> | <b>Date</b>  | <b>Signed</b>           | <b>Date</b> | <b>Signed</b> | <b>Date</b>            | <b>Signed</b> | <b>Date</b> | <b>Signed</b> | <b>Date</b> |  |
| Functional                         |               |  |                         |             |               |                        |               |             |               |             |  |
| Functional                         |               |  |                         |             |               |                        |               |             |               |             |  |
| Functional                         |               |  |                         |             |               |                        |               |             |               |             |  |
| Functional                         |               |  |                         |             |               |                        |               |             |               |             |  |
| Functional                         |               |  |                         |             |               |                        |               |             |               |             |  |
| Functional                         |               |  |                         |             |               |                        |               |             |               |             |  |
| Functional                         |               |  |                         |             |               |                        |               |             |               |             |  |
| Functional                         |               |  |                         |             |               |                        |               |             |               |             |  |
| Functional                         |               |  |                         |             |               |                        |               |             |               |             |  |
| Functional                         |               |  |                         |             |               |                        |               |             |               |             |  |
| Three Hour                         |               |  |                         |             |               |                        |               |             |               |             |  |

**Technical Helpline +44 (0)1924 893380**  
[www.bellighting.co.uk](http://www.bellighting.co.uk)

**British Electric Lamps Ltd**, Unit A Foxbridge Way  
 Normanton Ind Est, Normanton, West Yorkshire. WF6 1TN  
 T: +44 (0)1924 893380 F: +44 (0)1924 894320 E: sales@bellighting.co.uk